

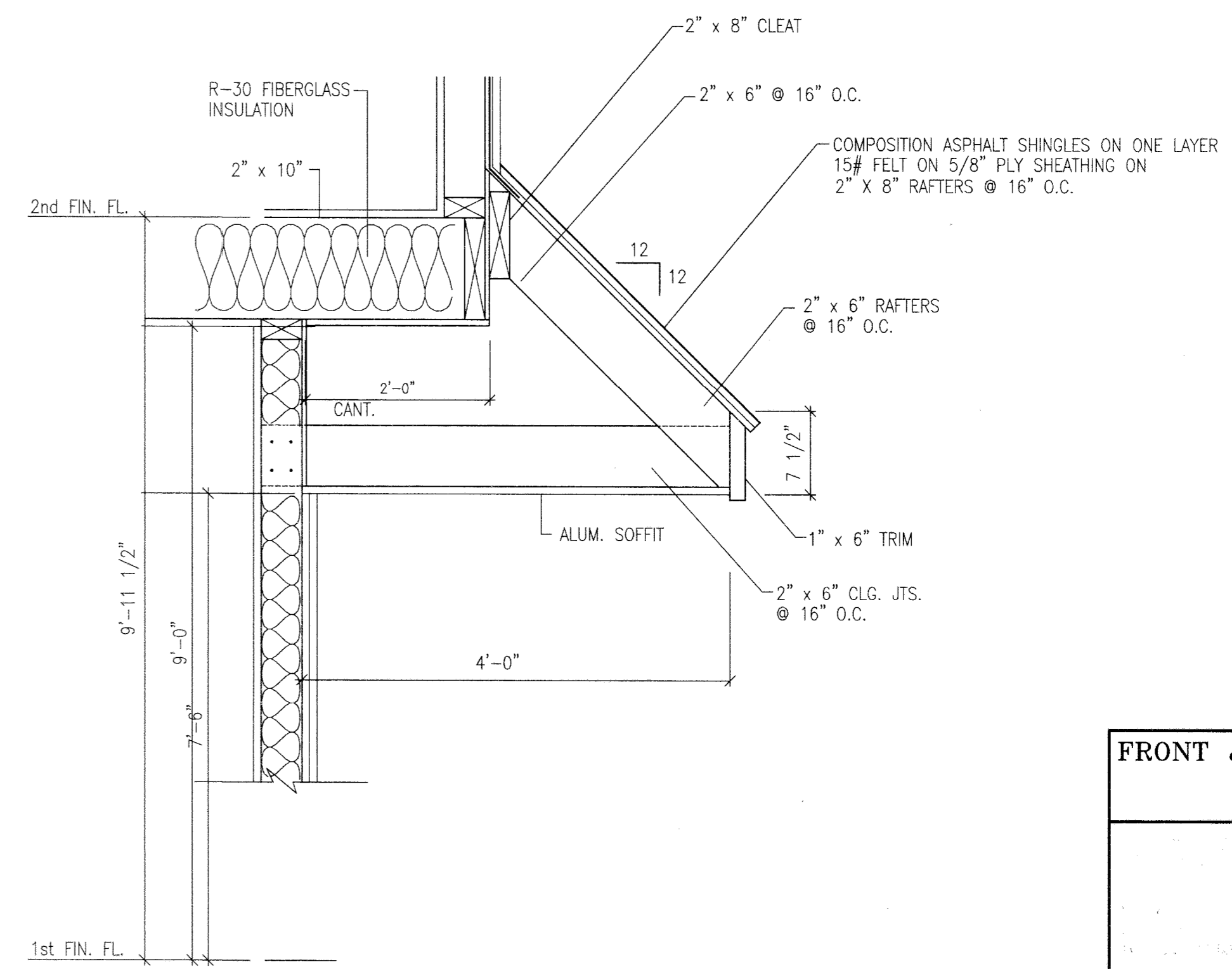
1 A-1 LOW ROOF AT GARAGE



FRONT ELEVATION



REAR ELEVATION



2 A-1 LOW ROOF/COVERED ENTRY DETAIL

FRONT & REAR ELEVATIONS

STEVE J. DRUGA, A.I.A.
 REGISTERED ARCHITECT
Steve J. Druga
 TEL: (732)752-3205 250 STELTON RD. SUITE # 6
 FAX: (732)752-7041 FISCATAWAY, N.J. 08854
 E-MAIL: stevedruga@aol.com

NEW JERSEY REG. # AI 06897	PROJECT	SHEET
ARIZONA REG. # 12332		
DRAWN BY: B.B.	2K3-058D	A-1
SCALE: AS NOTED		
DATE: 11-09-04		