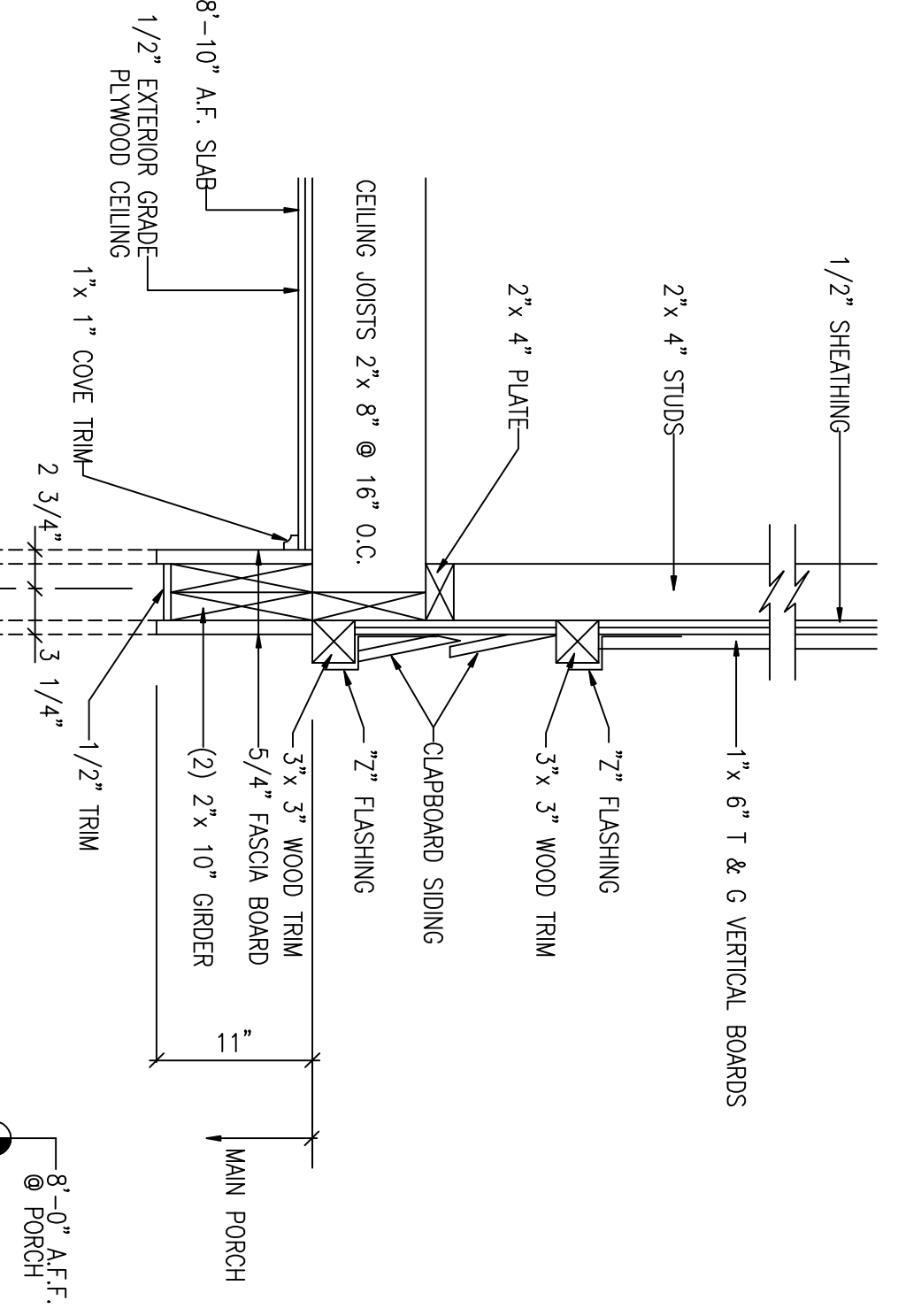


FRONT ELEVATION
SCALE: 1/4"=1'-0"

FINISH GRADE NOTE:
FINISH GRADES SHOWN ARE APPROXIMATE & MAY VARY. SEE: FINAL SITE PLAN DRAWING(S) FOR FINAL GRADES.

+ = OPTIONAL SHUTTERS



“ THE JEFFERSON ”
BY
MEISENBACHER HOMES
FRONT ELEVATION

STEVE J. DRUGA, A.I.A.
REGISTERED ARCHITECT

1 SERVICE PORCH DETAIL
(MAIN PORCH SIMILAR)

TEL: (323) 252-3205 FAX: (323) 252-3206 E-MAIL: steve@meisenbacher.com	280 SUTTON RD. SUITE # 6 PISCATAWAY N.J. 08854
DATE: 02/07/2001	PROJECT: 2K044
SCALE: 1/4" = 1'-0"	SHEET: A1
DATE: 02/07/2001	FILE: 2K044